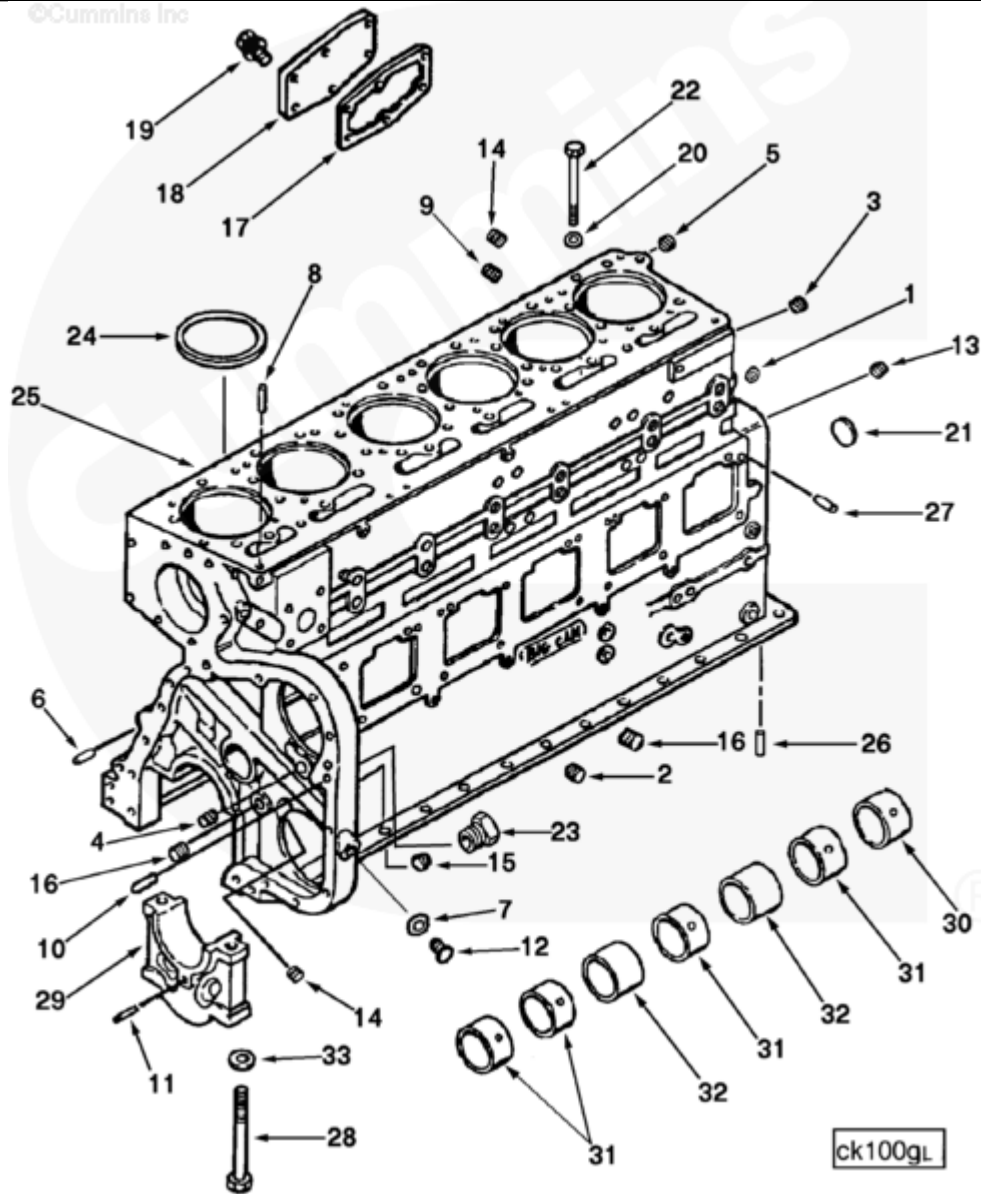




Parts Catalog - Option Detail

Electronic Parts Catalog - Option Detail				
Option	Group	Graphic	Film Card	Date
BP1224	01.01	ck100gl	F	15-DEC-92
Engines	NH/NT 855, NT495, NT743, NTA855 N106			



[SMALL](#) | [MEDIUM](#) | [LARGE](#)

Cart	Ref No	Part Number	Part Description	Required	Remarks
View My Cart					
		BP1224	Cylinder Block		

					Cylinder Block
<input type="checkbox"/>		3801743	Cylinder Block	1	
<input type="checkbox"/>	1	S 679	Plain Washer	1	3/8 in.
<input type="checkbox"/>	2	S 716	Expansion Plug	1	1 1/8 inch
<input type="checkbox"/>	3	S 719	Expansion Plug	1	1 inch
<input type="checkbox"/>	4	S 911 B	Pipe Plug	2	1/8 NPT
<input type="checkbox"/>	5	S 966 E	Pipe Plug	1	1 1/2 NPT
<input type="checkbox"/>	6	60408	Pin Dowel	3	
<input type="checkbox"/>	7	66292	Plain Washer	1	7/8 in.
<input type="checkbox"/>	8	68445	Groove Pin	6	
<input type="checkbox"/>	9	69901	Pipe Plug	9	1/8 NPT.
<input type="checkbox"/>	10	70653	Diamond Dowel	1	
<input type="checkbox"/>	11	202903	Roll Pin	2	
<input type="checkbox"/>	12	210884	Threaded Plug	1	7/8 - 18 UNS
<input type="checkbox"/>	13	3008466	Pipe Plug	2	1/4 NPT.
<input type="checkbox"/>	14	3008468	Pipe Plug	5	1/2 NPT.
<input type="checkbox"/>	15	3008469	Pipe Plug	2	3/4 NPT
<input type="checkbox"/>	16	3013786	Pipe Plug	6	3/8 NPT.
<input type="checkbox"/>	17	3069098	Cover Plate Gasket	1	
<input type="checkbox"/>	18	132019	Water Header Cover	1	
<input type="checkbox"/>	19	3013904	Captive Washer Cap Screw	6	1/2 - 20 x 5/8 in.
<input type="checkbox"/>	20	3060633	Plain Washer	36	5/8 inch
<input type="checkbox"/>	21	3011952	Expansion Plug	1	
<input type="checkbox"/>	22	3013623	Hexagon Head Cap Screw	36	11/16 - 16 x 7 3/8 inch
<input type="checkbox"/>	23	3046202	Threaded Plug	1	3/4 - 16 UNF.
<input type="checkbox"/>	24	3054947	Liner Seal Ring	A/R	0.0195 inch (black)
<input type="checkbox"/>	24	3054948	Liner Seal Ring	6	0.0205 inch (white)
<input type="checkbox"/>	24	3054949	Liner Seal Ring	A/R	0.0215 inch (orange)
<input type="checkbox"/>	24	3019959	Liner Seal Ring	A/R	0.031 inch

<input type="checkbox"/>	24	3019960	Liner Seal Ring	A/R	0.062 inch
<input type="checkbox"/>	25	3060622	Cylinder Block	1	
<input type="checkbox"/>	26	67211	Pin Dowel	2	
<input type="checkbox"/>	27	68585	Pin Dowel	6	
<input type="checkbox"/>	28	208346	Hexagon Head Cap Screw	14	3/4 - 16 x 6 5/8 in.
<input type="checkbox"/>	29	3008047	Main Bearing Cap	3	No. 1, 3, and 5
<input type="checkbox"/>	29	3008048	Main Bearing Cap	3	No. 2, 4, and 6
<input type="checkbox"/>	29	3008049	Main Bearing Cap	1	No. 7 only
<input type="checkbox"/>		3801106	Camshaft Bushing Kit	1	
<input type="checkbox"/>	30	3011951	Bushing	1	No. 7
<input type="checkbox"/>	31	3028075	Bushing	4	No. 1, 2, 4, and 6
<input type="checkbox"/>	32	3028269	Bushing		
<input type="checkbox"/>	33	3046246	Plain Washer	14	3/4 inch

© 2019 Cummins Inc., Box 3005, Columbus, IN 47202-3005 U.S.A.
Terms of Use and Disclaimers | Recommended System Requirements
Need Assistance? Please click on the Contact Us button in the top right corner of any page.